

# FM9™ Aluminum Conduit Outlet Bodies, Covers and Gaskets

For use with Rigid Steel, Rigid Aluminum and IMC.

NEC/CEC — Suitable for use in the following

Hazardous Locations:

Class I, Division 2 per NEC 501.10(B)(4)

## Applications

- Serve as pulling fittings.
- Make bends in conduit system.
- Provide openings for splicing.
- Connect and change direction of conduit runs.
- Allow connections for branch runs.
- Permit access to conductors for maintenance.

## Features

- Roomy interiors: deep body cavity provides increased volume allowing higher wiring capacity.
- Smooth, rounded integral bushings in hubs protect conductor insulation.
- Accurately tapped, tapered threads for tight, rigid joints and excellent ground continuity.
- Completely interchangeable with Crouse-Hinds † Mark9 † bodies, gaskets and covers. Equivalent FM9™ and Mark9 † units have identical applications and installation dimensions.
- Seven body styles available in 1/2" thru 4" sizes, TB's in 1/2" thru 2" and X's in 1/2" thru 1".
- Aluminum Unilets™: produced from a high-strength copperfree aluminum alloy, for light weight and high corrosion resistance.
- FM9™ covers with integral gasket are approved for use in wet locations.
- Covers are domed for extra wiring space.
- Smooth hub bushings and cover openings protect conductor insulation. Smooth hub openings allow easy conduit joining.
- Stainless steel pan-head cover screws secure cover to body and provide superior screwdriver seating and torque. Cover screws are captive to prevent loss in sizes 1/2" thru 2".
- Hub size, body style, compliance data, maximum wire number/size and cubic capacity molded into body.

## Standard Materials

- Conduit bodies: copperfree (4/10 of 1% max.) aluminum
- Covers: stamped copperfree (4/10 of 1% max.) aluminum
- Cover screws: stainless steel
- Gaskets: neoprene

## Standard Finishes

- Conduit bodies, covers and screws: natural

## Options

- PVC coating available on all bodies and select covers. Add suffix **-PVC** to catalog number.

## NEC/CEC Certifications and Compliances

- UL Standards: 514A, 514B
- UL Listed: E2527
- CSA Standard: C22.2 No. 18.3
- CSA Certified: 065183
- NEMA Standard: FB-1



Type LL with Form-IN-Place cover



Captive Stainless Steel Pan-Head Cover Screws



† Crouse-Hinds and Mark9 are registered trademarks of Cooper Crouse-Hinds.



# FM9™ Aluminum Conduit Outlet Bodies, Covers and Gaskets

For use with Rigid Steel, Rigid Aluminum and IMC.

NEC/CEC — Suitable for use in the following  
Hazardous Locations:  
Class I, Division 2 per NEC 501.10(B)(4)

## Appleton™ FM9™ Conduit Bodies ①②

Hub Size (Inches)	Max. Wire Fill	C	Max. Wire Fill	LB
				
1/2	③	<b>C19</b>	③	<b>LB19</b>
3/4	(3) # 6	<b>C29</b>	(3) # 6	<b>LB29</b>
1	(3) # 4	<b>C39</b>	(3) # 4	<b>LB39</b>
1-1/4	(3) # 2	<b>C49</b>	(3) # 2	<b>LB49</b>
1-1/2	(3) # 1/0	<b>C59</b>	(3) # 1/0	<b>LB59</b>
2	(3) # 2/0	<b>C69</b>	(3) # 3/0	<b>LB69</b>
2-1/2	(3) 300	<b>C789</b>	(3) 300	<b>LB789</b>
3	(3) 350	<b>C889</b>	(3) 300	<b>LB889</b>
3-1/2	(3) 350	<b>C989</b>	(3) 500	<b>LB989</b>
4	(3) 350	<b>C1089</b>	(3) 500	<b>LB1089</b>

Hub Size (Inches)	Max. Wire Fill	T	Max. Wire Fill	TB
				
1/2	③	<b>T19</b>	③	<b>TB19</b>
3/4	(3) # 6	<b>T29</b>	(3) # 6	<b>TB29</b>
1	(3) # 4	<b>T39</b>	(3) # 4	<b>TB39</b>
1-1/4	(3) # 2	<b>T49</b>	(3) # 2	<b>TB49</b>
1-1/2	1 (3) # 1/0; side (3) # 2	<b>T59</b>	(3) # 1/0; back (3) # 2	<b>TB59</b>
2	(3) # 2/0; side (3) # 1	<b>T69</b>	(3) # 2/0; back (3) # 1	<b>TB69</b>
2-1/2	(3) 250	<b>T789</b>	—	—
3	(3) 250	<b>T889</b>	—	—
3-1/2	(3) 350	<b>T989</b>	—	—
4	(3) 350	<b>T1089</b>	—	—



① PVC coating available on all FM9™ bodies. Add suffix **-PVC** to catalog number.  
② Refer to following page for Wiring Capacity Tables.  
③ All 1/2" Max Wire Fill Calculations per the NEC - Annex C - Table C8.


# FM9™ Aluminum Conduit Outlet Bodies, Covers and Gaskets

For use with Rigid Steel, Rigid Aluminum and IMC.

NEC/CEC — Suitable for use in the following  
Hazardous Locations:  
Class I, Division 2 per NEC 501.10(B)(4)

## Appleton™ FM9™ Conduit Bodies ①

Hub Size (Inches)	Max. Wire Fill	LL	Max. Wire Fill	LR
				
1/2	⊘	<b>LL19</b>	⊘	<b>LR19</b>
3/4	(3) # 6	<b>LL29</b>	(3) # 6	<b>LR29</b>
1	(3) # 4	<b>LL39</b>	(3) # 4	<b>LR39</b>
1-1/4	(3) # 2	<b>LL49</b>	(3) # 2	<b>LR49</b>
1-1/2	(3) # 1/0	<b>LL59</b>	(3) # 1/0	<b>LR59</b>
2	(3) # 4/0	<b>LL69</b>	(3) # 4/0	<b>LR69</b>
2-1/2	(3) 300	<b>LL789</b>	(3) 300	<b>LR789</b>
3	(3) 350	<b>LL889</b>	(3) 350	<b>LR889</b>
3-1/2	(3) 350	<b>LL989</b>	(3) 350	<b>LR989</b>
4	(3) 350	<b>LL1089</b>	(3) 350	<b>LR1089</b>

Hub Size (Inches)	Max. Wire Fill	X
		
1/2	⊘	<b>X19</b>
3/4	(3) # 6	<b>X29</b>
1	(3) # 4	<b>X39</b>
1-1/4	—	—
1-1/2	—	—
2	—	—
2-1/2	—	—
3	—	—
3-1/2	—	—
4	—	—

① Refer to following page for Wiring Capacity Tables



② All 1/2" Max Wire Fill Calculations per the NEC - Annex C - Table C8.

# FM9™ Aluminum Conduit Outlet Bodies, Covers and Gaskets

For FM9™ Unilets™ Conduit Outlet Bodies.

NEC/CEC — Suitable for use in the following  
 Hazardous Locations:  
 Class I, Division 2 per NEC 501.10(B)(4)

## Appleton™ FM9™ Blank Covers and Gaskets and Stamped Aluminum Cover with Integral Gasket (Covers furnished with Stainless Steel Screws)

Body Size (Inches)	Stamped Aluminum Cover ①	Solid Gasket Neoprene
		
1/2	APP190	GASK1941
3/4	APP290	GASK1942
1	APP390	GASK1943
1-1/4	APP490	GASK1944
1-1/2	APP590	GASK1945
2	APP690	GASK1946
2-1/2	APP889	GASK808N
3	APP889	GASK808N
3-1/2	APP989	GASK809N
4	APP989	GASK809N

### Wiring Capacity: Combine Body and Cover Capacities for Total usable Capacity per NEC 314.16(A)

Hub Size (Inches)	Capacity — dm <sup>3</sup> (in <sup>3</sup> )						Cover
	C	LB	LL LR	T	TB	X	
1/2	0.08 (4.80)	0.08 (5.00)	0.09 (5.30)	0.08 (5.00)	0.11 (6.80)	0.12 (7.30)	0.01 (0.50)
3/4	0.13 (7.80)	0.14 (8.30)	0.14 (8.50)	0.14 (8.30)	0.18 (11.00)	0.19 (11.30)	0.01 (0.80)
1	0.20 (12.30)	0.21 (12.80)	0.22 (13.30)	0.20 (12.50)	0.27 (16.50)	0.28 (17.00)	0.02 (1.00)
1-1/4	0.41 (25.30)	0.43 (26.50)	0.45 (27.30)	0.43 (26.30)	0.42 (25.80)	—	0.02 (1.50)
1-1/2	0.61 (37.50)	0.64 (39.00)	0.65 (39.80)	0.63 (38.50)	0.63 (38.50)	—	0.04 (2.50)
2	1.27 (77.50)	1.33 (81.30)	1.36 (82.80)	1.30 (79.50)	1.26 (77.00)	—	0.11 (6.50)
2-1/2	3.77 (230.00)	3.77 (230.00)	3.77 (230.00)	3.77 (230.00)	—	—	0.20 (12.30)
3	4.10 (250.00)	4.10 (250.00)	4.10 (250.00)	4.10 (250.00)	—	—	0.20 (12.30)
3-1/2	7.37 (450.00)	7.37 (450.00)	7.37 (450.00)	7.37 (450.00)	—	—	0.39 (24.00)
4	7.70 (470.00)	7.70 (470.00)	7.70 (470.00)	7.70 (470.00)	—	—	0.39 (24.00)

① PVC coating available on select FM9™ covers. Add suffix **-PVC** to catalog number.

# FM9™ Aluminum Conduit Outlet Bodies, Covers and Gaskets

FM9™ Cover with Integral Form-In-Place gasket.

**NEC/CEC:**  
Class I, Division 2  
NEMA 3R

## Applications

- Cover with integral gasket for FM9 conduit bodies.
- Can be used as replacement covers for installed bodies or in new installations.

## Features

- Benefit from superior sealing, reduced inventory parts and faster installation times.
- Captive pan-head screws.
- High-strength, corrosion and weather resistant.
- Approved for wet locations.
- Fits all body configurations and sizes from 1/2" thru 4".
- Operating temperature: -54 °C to +150 °C (-65 °F to +302 °F).


## Standard Materials

- Stamped aluminum
- Gasket - Urethane

## NEC/CEC Certifications and Compliances

- UL Standard: 514A
- UL Listed: E2527
- CSA Standard: C22.2 No. 18.3
- CSA Certified: 065183
- NEMA Standard: FB-1



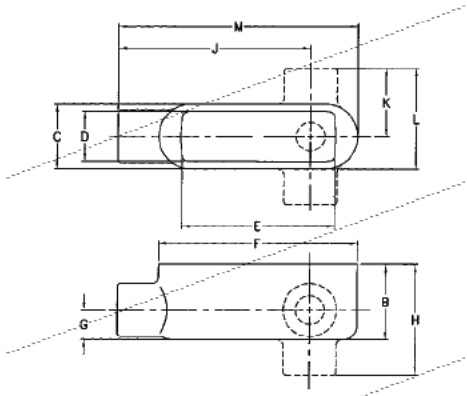
Hub Size (Inches)	Stamped Aluminum
	
1/2	190IG
3/4	290IG
1	390IG
1-1/4	490IG
1-1/2	590IG
2	690IG
2-1/2 and 3	889IG
3-1/2 and 4	989IG

# FM9™ Aluminum Conduit Outlet Bodies Covers Gaskets

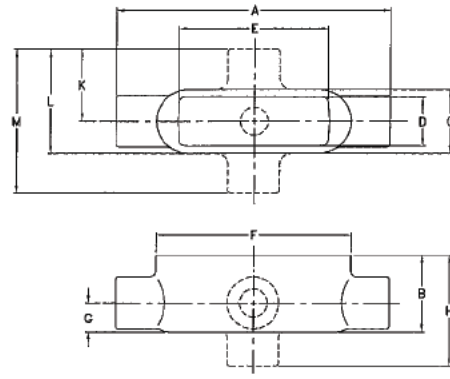
For use with Rigid Steel, Rigid Aluminum and IMC.

NEC/CEC:  
Class I, Division 2  
NEMA 3R

## Dimensions in Millimeters (Inches)



Type LB, LL and LR



Type C, T, TB and X

Hub Size	Dimensions in Millimeters (Inches)													
	A	B	C	D	E	F	G	H	J	K	L	M	N	
C, LB, T, LL, and LR	1/2	126.2 (4.97)	39.6 (1.56)	35.1 (1.38)	26.9 (1.06)	3.28 (83.3)	107.2 (4.22)	16.0 (0.63)	58.7 (2.31)	91.2 (3.59)	36.6 (1.44)	54.1 (2.13)	-	116.6 (4.59)
	3/4	144.5 (5.69)	46.0 (1.81)	39.6 (1.56)	1.22 (31.0)	100.1 (3.94)	122.2 (4.81)	19.1 (0.75)	65.8 (2.59)	103.9 (4.09)	40.4 (1.59)	60.5 (2.38)	-	64.0 (2.52)
	1	167.4 (6.59)	52.3 (2.06)	44.5 (1.75)	35.8 (1.41)	115.8 (4.56)	142.0 (5.59)	22.4 (0.88)	77.0 (3.03)	122.9 (4.84)	46.7 (1.84)	69.1 (2.72)	-	154.7 (6.09)
	1-1/4	193.8 (7.63)	68.3 (2.69)	55.6 (2.19)	47.8 (1.88)	133.4 (5.25)	166.6 (6.56)	27.7 (1.09)	95.3 (3.75)	136.7 (5.38)	54.9 (2.16)	82.6 (3.25)	-	180.1 (7.09)
	1-1/2	209.6 (8.25)	77.0 (3.03)	64.3 (2.53)	55.6 (2.19)	150.9 (5.94)	184.2 (7.25)	31.8 (1.25)	102.4 (4.03)	152.4 (6.00)	57.2 (2.25)	89.7 (3.53)	-	198.4 (7.81)
	2	271.5 (10.69)	95.3 (3.75)	81.0 (3.19)	71.4 (2.81)	204.7 (8.06)	242.8 (9.56)	38.1 (1.50)	124.0 (4.88)	200.2 (7.88)	67.6 (2.66)	108.0 (4.25)	-	257.3 (10.13)
	2-1/2	397.0 (15.63)	125.5 (4.94)	127.0 (5.00)	108.0 (4.25)	276.4 (10.88)	311.2 (12.25)	63.5 (2.50)	168.4 (6.63)	290.6 (11.44)	106.4 (4.19)	169.9 (6.69)	-	354.1 (13.94)
	3	397.0 (15.63)	134.9 (5.31)	127.0 (5.00)	108.0 (4.25)	276.4 (10.88)	311.2 (12.25)	63.5 (2.50)	177.8 (7.00)	290.6 (11.44)	106.4 (4.19)	169.9 (6.69)	-	354.1 (13.94)
	3-1/2	476.3 (18.75)	157.2 (6.19)	158.8 (6.25)	138.2 (5.44)	341.4 (13.44)	381.0 (15.00)	79.5 (3.13)	204.7 (8.06)	349.3 (13.75)	127.0 (5.00)	206.5 (8.13)	-	428.8 (16.88)
	4	476.3 (18.75)	163.6 (6.44)	158.8 (6.25)	138.2 (5.44)	341.4 (13.44)	381.0 (15.00)	79.5 (3.13)	211.1 (8.31)	349.3 (13.75)	127.0 (5.00)	206.5 (8.13)	-	428.8 (16.88)
TB and X	1/2	150.9 (5.94)	49.3 (1.94)	35.1 (1.38)	26.2 (1.03)	83.3 (3.28)	107.2 (4.22)	16.0 (0.63)	69.9 (2.75)	-	39.6 (1.56)	57.2 (2.25)	79.5 (3.13)	128.5 (5.06)
	3/4	166.6 (6.56)	56.4 (2.22)	39.6 (1.56)	31.0 (1.22)	100.1 (3.94)	122.2 (4.81)	19.1 (0.75)	77.0 (3.03)	-	42.2 (1.66)	62.0 (2.44)	84.1 (3.31)	144.5 (5.69)
	1	190.5 (7.50)	62.0 (2.44)	44.5 (1.75)	35.1 (1.38)	115.8 (4.56)	142.0 (5.59)	22.4 (0.88)	85.9 (3.38)	-	46.7 (1.84)	69.1 (2.72)	93.7 (3.69)	165.9 (6.53)
	1-1/4	215.9 (8.50)	68.3 (2.69)	55.6 (2.19)	44.5 (1.75)	133.4 (5.25)	166.6 (6.56)	27.7 (1.09)	95.3 (3.75)	-	-	-	-	191.3 (7.53)
	1-1/2	209.6 (8.25)	77.0 (3.03)	64.3 (2.53)	55.6 (2.19)	150.9 (5.94)	184.2 (7.25)	31.8 (1.25)	102.4 (4.03)	-	-	-	-	198.4 (7.81)
	2	271.5 (10.69)	95.3 (3.75)	81.0 (3.19)	69.9 (2.75)	204.7 (8.06)	242.8 (9.56)	38.1 (1.50)	124.0 (4.88)	-	-	-	-	257.3 (10.13)